



A division of Terry Young Ltd, New Zealand

INSTALLATION INSTRUCTIONS for BLENZ FREESTANDING MULTIFUEL BURNER APRIL 2007

**TESTED in compliance with the requirements of AS/NZS 2918:2001
The Yunca Blenz is NOT clean-air approved.**

- A.** Yunca recommends that competent trades persons carry out all installations (e.g. NZHHA Registered Installer), to obtain maximum performance and safe, efficient heating.
- B.** A permit is required and we suggest you check with local building inspectors as by-laws do vary from area to area.
Also notify your Insurance Company that a solid fuel heater has been installed.
- C.** Floor Protector –
1. Must extend a minimum of 300mm in front of the door aperture.
 2. Must extend at least 125mm from each side of the heater.
 3. Ash Floor Protector must be constructed of non-combustible materials, with a minimum thickness of 12mm.
- D.** Seismic restraint – Heater must be restrained from seismic movement as required by AS/NZS 2918:2001. 10mm diameter bolting holes in the rear corners allow restraint.
- E.** Manufacturers recommended tested minimum clearances from combustible walls:

Tested to NZS by APPLIED RESEARCH SERVICES	Clearance
Rear Clearance (with YUNCA flue guard fitted)	175mm
Side Clearance (with YUNCA flue guard fitted)	325mm
Corner Clearance (with YUNCA flue guard fitted)	60mm

F. YUNCA Flue Kit (tested in compliance with requirements of AS/NZS 2918:2001): **FIG A, B & E**

1. 4.2m x 150mm stainless steel flue.
2. 2.4m x 250mm galvanised liner.
3. 1 x ceiling tile.
4. 1 x insulation boundary shield.
5. 3 x spider brackets.
6. 1 x weather cap & cowl.

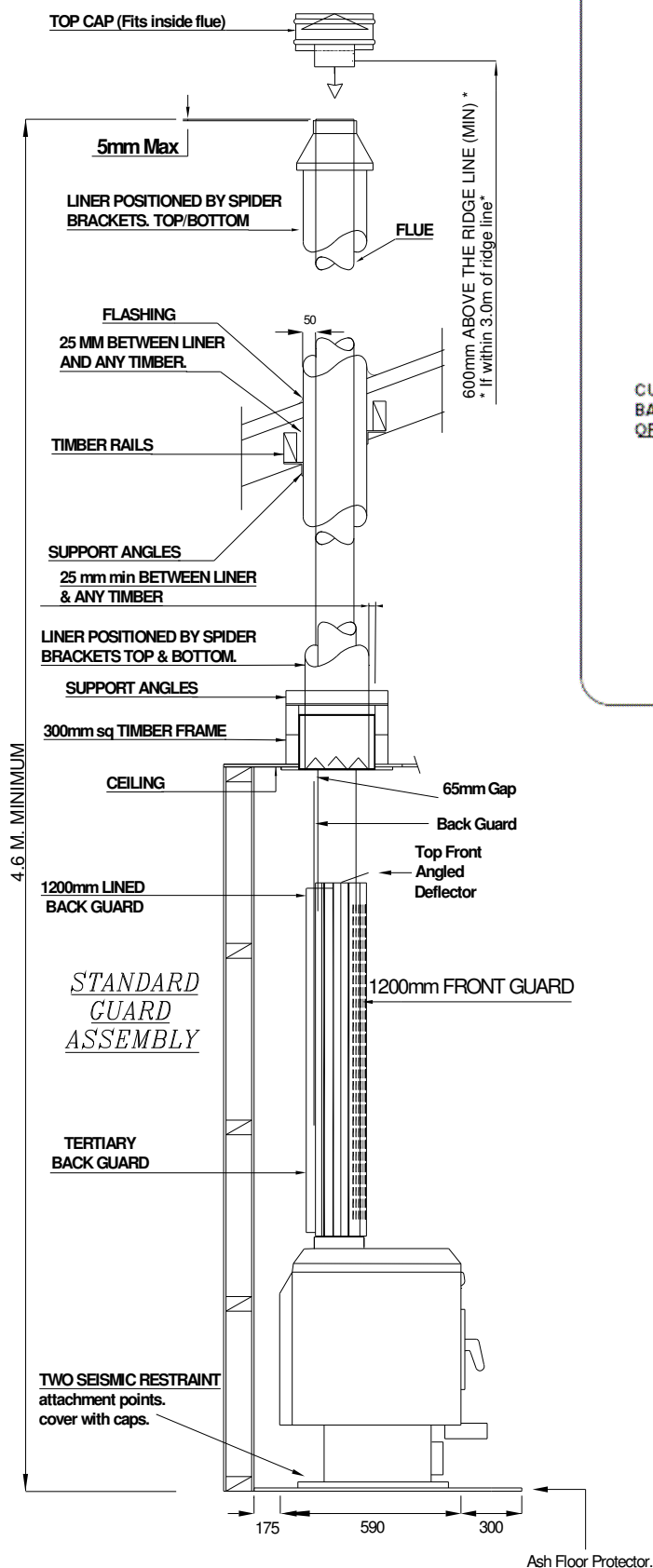
Please Note: All joints must be sealed with flue sealing compound. Use stainless steel screws or rivets to join the flue pipe (three equally spaced places at each joint). The first length of flue pipe must be screwed to flue spigot. The required minimum flue termination height is 4.6 m above the floor protector.

G. BLENZ Flue Mounted Shield (Flue Guard) Kit: FIG A

- 1 x 1200mm length lined Back Guard with 900mm adjustable extension
- 1 x 1200mm length Perforated Front Guard
- 1 x 1200mm length Tertiary Back Guard with spacers (not required but recommended)
- 1 x top front deflector shield (half round shaped, angled when installed).

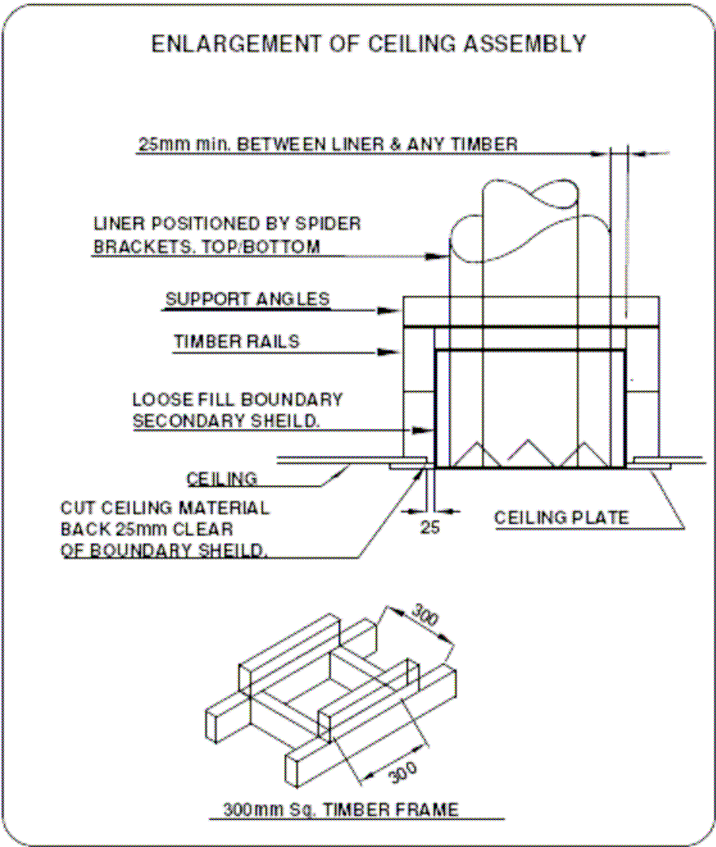
Please Note: The minimum Flue Guard Height is 1200mm.

BLENZ – TYPICAL FLUE INSTALLATION (drawings on the following pages not drawn to scale)
FIG A



Note: All Dimensions are in millimetres.

FIG B



CONDITIONS FOR FLUES (Refer Fig. E)

1. The FLUE shall extend to:
 - Not less than 600mm above the highest point on the roof if within 3.0m of that point.
 - Not less than 1000mm above the intersection point with the roof and not lower than any point of the roof within 3.0m.
 - In any case the length of the flue shall not be less than 4.6m from the ash floor protector.
 - In some situations the Local Council may vary the above requirements.
2. All parts of the chimney exposed to the outside air shall be suitably insulated in accordance with the manufacturers' recommendations. When loose- fill insulation is used in the adjacent ceiling space, maintain clearance between the secondary shield and the loose-fill insulation by provision of a boundary extending 200mm above the ceiling top surface. This non-combustible boundary shield shall be capable of preventing accidental migration of the loose-fill by any action of wind or by persons moving in the ceiling space.

FIG. C: HEATER DIMENSIONS AND WATER BOOSTER POSITION – BLENZ (not to scale)

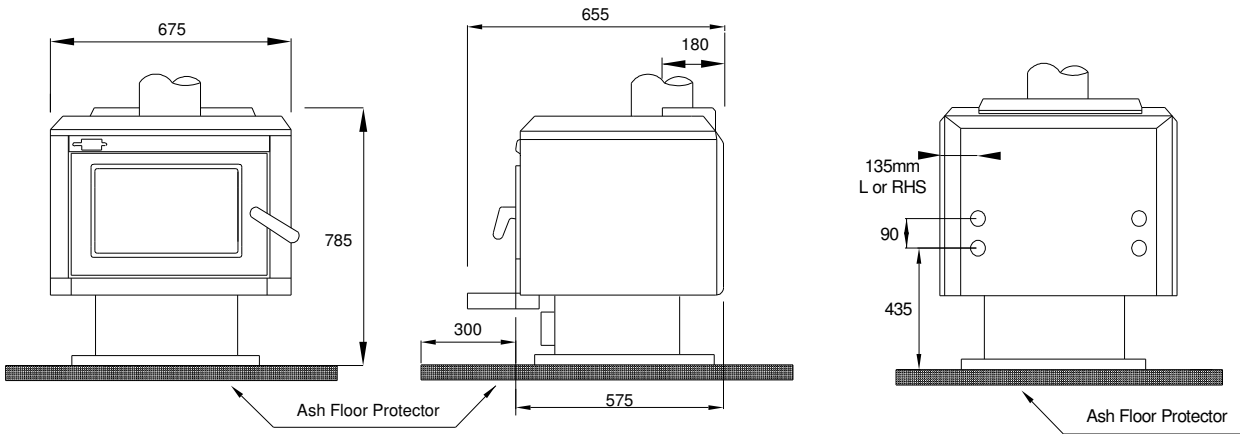
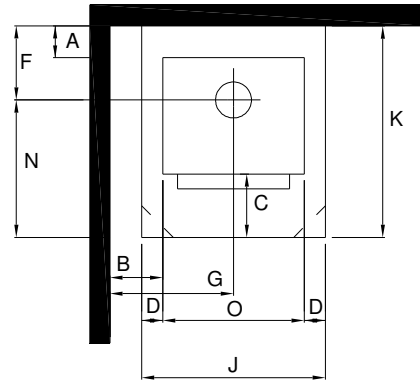
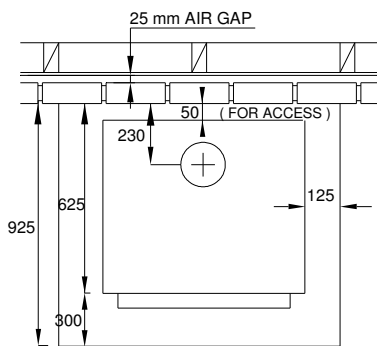


FIG.D: HEATER POSITION. (not to scale)



Above: Non combustible wall clearances. Brick lining from floor to within 25mm of ceiling. Leave air vents at the bottom to allow airflow in the cavity. If Yunca flue mounted shield is fitted, brickwork may be 1200mm high as long as all vertical joints in top and bottom of brickwork are left out to allow airflow when brickwork is capped.

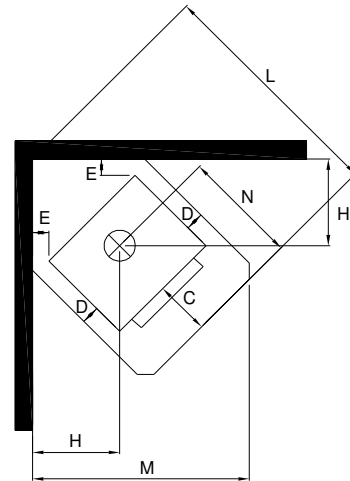
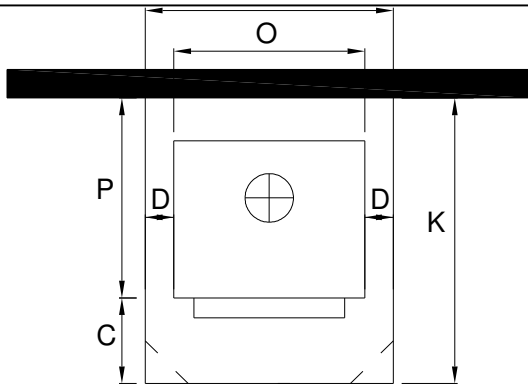


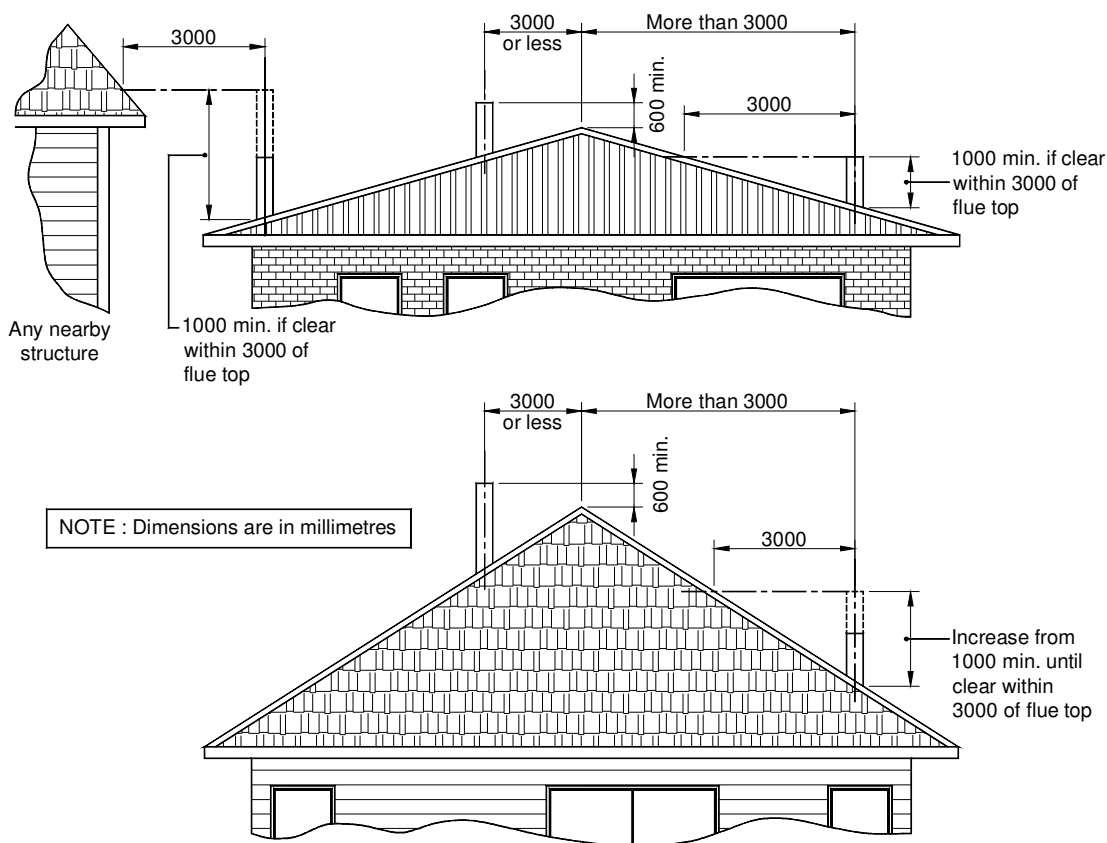
FIG D: MINIMUM FIRE TO COMBUSTABLE WALL CLEARANCES - BLENZ (WITH YUNCA FLUE MOUNTED SHIELD FITTED). Measurements in millimetres.

A	B	E	F	G	H			
175	325	60	355	663	430			

FIG D: MINIMUM FLOOR PROTECTION MEASUREMENTS (WITH YUNCA FLUE MOUNTED SHIELD FITTED). Measurements in millimetres.

C	D	J	K	L	M	N	O	P
300	125	925	1050	1312	1167	695	675	750

FIG E: FLUE SYSTEM REQUIREMENTS (not to scale)



MINIMUM HEIGHT OF FLUE SYSTEM EXIT

IMPORTANT INFORMATION

- A. The appliance and flue system shall be installed in compliance with AS/NZS 2918 and the appropriate requirements of the relevant building code or codes.
- B. Appliances installed in accordance with this standard shall comply with the requirements of AS/NZS 4013 where required by the regulatory authority i.e. the appliance shall be identifiable by a compliance plate with the marking "TESTED TO AS/NZS 4013"
- C. Any modification of the appliance that has not been approved in writing by the testing authority is considered to be in breach of the approval granted for compliance with AS/NZS 4013
- D. Mixing of appliance or flue system components from different sources or modifying the dimensional specification of components may result in hazardous conditions. Where such action is considered, the manufacturer should be consulted in the first instance.
- E. Cracked and broken components e.g. glass panels or fire bricks, may render the installation unsafe.

IF A WATERBOOSTER IS FITTED:

- A. Do not connect to an unvented hot water system
- B. Install in accordance with AS 3500.4.1 or NZS 4603 and the appropriate requirements of the relevant building codes.

Seismic Restraint

Secure the heater base to the hearth or sub-framing with Dynabolts or similar, through the holes provided in the heater base.

Follow local Council's Specifications – the Yunca Blenz is NOT clean-air approved..